

Contents

General	2
U-Bolts	3
Suspension hinges	3
Strain hinges	4
Universal joint	4
Shackles	5

GENERAL **Suspension and tension hinges** are used to fix insulator strings onto towers.
Cardanic links allow movement of the strings in all directions.

Short circuit capability

The short circuit capability of the tower attachments depends on the cross sections used as well as the smoothness of bolts and holes and on the mechanical load applied. Furthermore the grade of steel used has some influence.

Generally one can calculate that at a current density of 70 A/mm² the temperature of the materials used will be lower than 400° C.

One should keep in mind that at higher temperatures the strength of the hardware will be reduced.

Standards

The **dimensions** are according to DIN 48066.

The **connecting bolts** acc. DIN 48073/5.6 or 8.8.

Split pins are made of stainless steel or tinned copper.

Clevis eye connections acc. DIN 48074 resp. IEC 471 .

Hot dip galvanising

Steel hardware is hot dip galvanised in Mosdorfer's own plant.

Galvanising can be done in accordance to national and international standards.

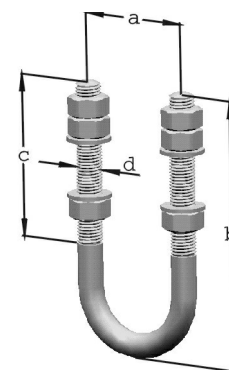
abbreviation for bolts:

S = screw bolt

N = rivet bolt

U-Bolts

Material: Steel, hot dip galvanised						
L.-Nr.	Dimensions in mm				Breaking strength kN	Weight kg
	a	b	c	d		
4104.20	70	120	70	M16	120	0,60
4104.20/1	70	200	130	M16	120	0,80
4104.20/2	70	240	160	M16	120	0,87
4104.22	70	155	90	M20	180	1,13
4104.22/1	90	155	90	M20	180	1,16
4104.22/8	100	270	150	M20	200	1,90
4104.24/2	100	210	140	M24	240	2,35

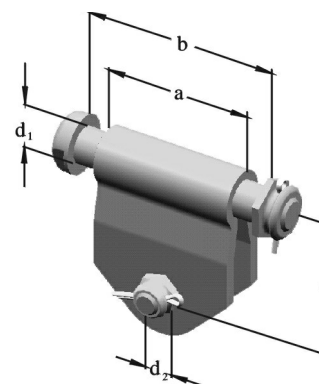


Other dimensions on request.

Suspension hinges AS

according to DIN 48066 with screw bolts

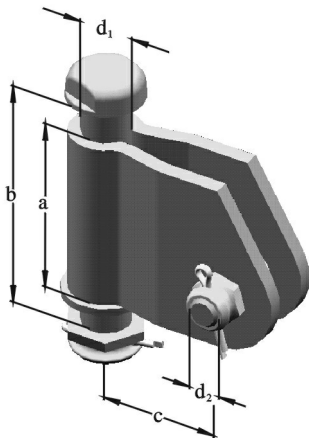
Material: Steel, hot dip galvanised										
L.-Nr.	Type	Dimensions in mm					Breaking strength kN	Short circuit current kA	Weight kg	
		d ₁	d ₂	used for width	a	b				c
4181.01	AS 19 - 19 - 80 - 6	19	19	80	75	105	65	150	30	1,20
4181.02	AS 19 - 19 - 80 - 8	19	19	80	75	105	65	200	40	1,60
4181.03	AS 19 - 19 - 100 - 6	19	19	100	95	125	65	150	30	1,50
4181.04	AS 19 - 19 - 100 - 8	19	19	100	95	125	65	200	40	1,80
4181.41	AS 25 - 19 - 80 - 8	25	19	80	75	110	75	200	40	1,70
4181.42	AS 25 - 19 - 80 - 10	25	19	80	75	110	75	240	40	2,10
4181.43	AS 25 - 19 - 100 - 8	25	19	100	95	130	75	200	40	2,20
4181.44	AS 25 - 19 - 100 - 10	25	19	100	95	130	75	240	40	2,50
4181.11	AS 25 - 22 - 80 - 8	25	22	80	75	110	75	200	50	2,10
4181.12	AS 25 - 22 - 80 - 10	25	22	80	75	110	75	280	50	2,60
4181.13	AS 25 - 22 - 100 - 8	25	22	100	95	130	75	200	50	2,40
4181.14	AS 25 - 22 - 100 - 10	25	22	100	95	130	75	280	50	2,80



Other dimensions on request.

Strain hinges BS

according to DIN 48066 with screw bolts

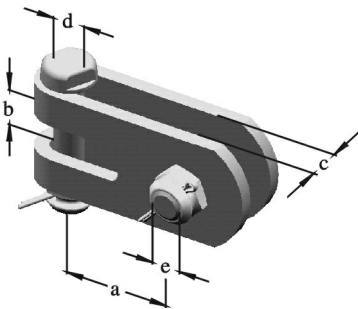


Material: Steel, hot dip galvanised										
L.-Nr.	Type	Dimensions in mm						Breaking strength kN	Short circuit current kA	Weight kg
		d ₁	d ₂	used for width	a	b	c			
4180.01	BS 19 - 19 - 80 - 6	19	19	80	70	105	65	150	30	1,20
4180.02	BS 19 - 19 - 80 - 8	19	19	80	70	105	65	200	40	1,50
4180.03	BS 19 - 19 - 100 - 6	19	19	100	90	125	65	150	30	1,50
4180.04	BS 19 - 19 - 100 - 8	19	19	100	90	125	65	200	40	1,70
4180.05	BS 19 - 19 - 120 - 8	19	19	120	110	145	65	200	40	1,90
4180.06	BS 19 - 19 - 140 - 8	19	19	140	130	165	65	200	40	2,10
4180.11	BS 25 - 19 - 80 - 10	25	19	80	70	110	75	240	40	2,00
4180.12	BS 25 - 19 - 100 - 10	25	19	100	90	130	75	240	40	2,40
4180.13	BS 25 - 19 - 120 - 10	25	19	120	110	150	75	240	40	2,70
4180.14	BS 25 - 19 - 140 - 10	25	19	140	130	170	75	240	40	3,10
4180.21	BS 25 - 22 - 80 - 10	25	22	80	70	110	75	280	50	2,10
4180.22	BS 25 - 22 - 100 - 10	25	22	100	90	130	75	280	50	2,50
4180.23	BS 25 - 22 - 120 - 10	25	22	120	110	150	75	280	50	2,80
4180.24	BS 25 - 22 - 140 - 10	25	22	140	130	170	75	280	50	3,20

Other dimensions on request.

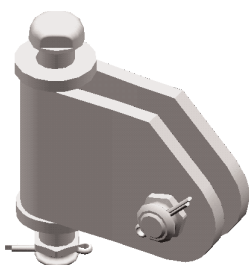
Universal joints

with screw bolts



Material: Steel, hot dip galvanised								
L.-Nr.	Dimensions in mm					Breaking strength kN	Short circuit current kA	Weight kg
	a	b	c	d	e			
4170.70	80	20	20	19	19	200	40	1,15
4170.75	80	20	20	22	22	200	40	1,25
4170.71/1	80	20	12	16	19	160	25	1,00
4170.71/2	80	20	18	16	19	160	25	1,00
4170.71/3	80	20	22	16	19	160	25	1,00
4170.75/1	80	20	20	22	19	200	40	1,20
4175.08	100	24	30	28	28	380	50	3,00

Other dimensions on request.



Strain hinges

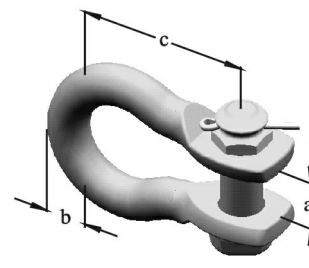
with welded washers

Dimensions on request.

Straight bow shackles

Material: Steel, hot dip galvanised

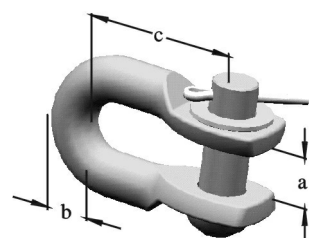
L.-Nr.	Bolt	Dimensions in mm			Breaking strength kN	Weight kg
		b	c	a		
4250.11	S 16	16	70	20	55	0,47
4250.12/2	S 16	20	85	21	130	0,86
4250.12	S 19	20	80	21	130	0,75
4250.17/0	S 19	24	100	20	240	1,30
4250.15/3	S 22	24	100	20	230	1,35
4250.28	S 32	35	155	26	524	4,30



Straight shackles

Material: Steel, hot dip galvanised

L.-Nr.	Bolt	Dimensions in mm			Breaking strength kN	Weight kg
		b	c	a		
4250.01	N 13	16	55	20	47	0,32
4250.02	N 13	16	80	25	47	0,38
4250.06	S 16	19	60	20	120	0,52
4250.06/1	N 19	19	60	21	120	0,58
4250.09	N 19	19	80	21	120	0,65
4250.08/0	S 19	20	70	20	160	0,68



Twisted bow shackles

Material: Steel, hot dip galvanised

L.-Nr.	Bolt	Dimensions in mm			Breaking strength kN	Weight kg
		b	c	a		
4250.41/1	S 19	20	100	20	120	1,10
4250.41/2	S 22	22	110	20	120	1,40
4250.44/1	S 28	35	190	38	420	5,40

